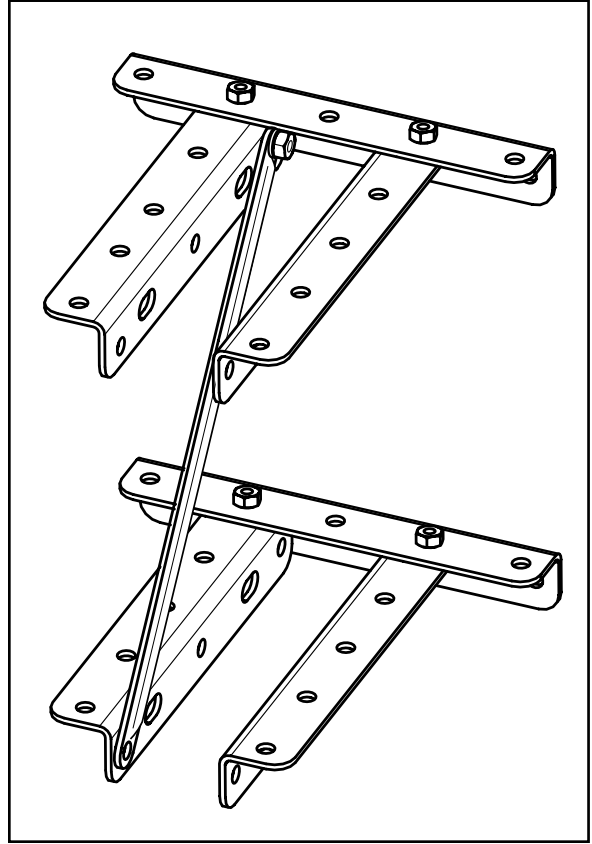
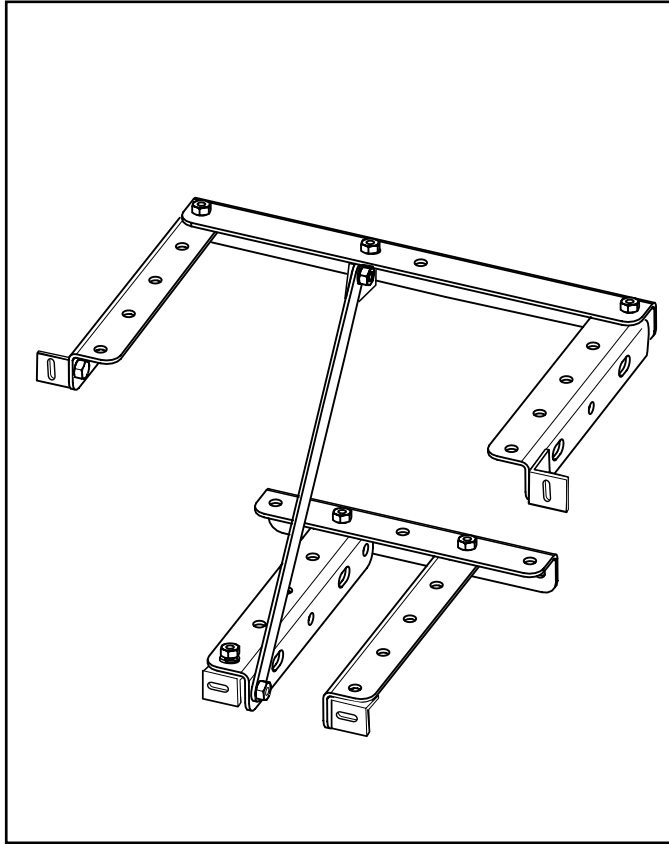


# HUFFY<sup>®</sup>SPORTS

## Universal Mounting Bracket Owners Manual

Customer Service Center  
• N53 W24700 South Corporate Circle • Sussex, WI 53089 • U.S.A.



### **! WARNING**

Read and understand operator's manual before using this unit.

Failure to follow operating instructions could result in injury or damage to property.

### **REQUIRED TOOLS AND MATERIALS:**

- Two of each: 7/16", 1/2" and 9/16" Wrenches
- Ladder

Toll-Free Customer Service Number for U.S.: 1-800-558-5234,

For Canada: 1-800-284-8339,

For Europe: 00 800 555 85234 (Sweden: 009 555 85234),

For Australia: 1-800-632 792

Internet Address: <http://www.huffysports.com>



# SAFETY INSTRUCTIONS



FAILURE TO FOLLOW THESE SAFETY INSTRUCTIONS MAY RESULT IN SERIOUS INJURY OR PROPERTY DAMAGE AND WILL VOID WARRANTY.

*Owner must ensure that all players know and follow these rules for safe operation of the system.*


To ensure safety, do not attempt to assemble this system without following the instructions carefully. Check entire box and inside all packing material for parts and/or additional instruction material. Before beginning assembly, read the instructions and identify parts using the hardware identifier and parts list in this document. Proper and complete assembly, use, and supervision are essential for proper operation and to reduce the risk of accident or injury. A high probability of serious injury exists if this system is not installed, maintained, and operated properly.


- If using a ladder during assembly, use extreme caution.
- Two (2) people are recommended for this operation.
- Seat the pole sections properly (if applicable). Failure to do so could allow the pole sections to separate during play and/or transport of the system.
- Climate, corrosion or misuse could result in system failure.
- Minimum operational height is 6' 6" (1.98 m) to the bottom of backboard.
- This equipment is intended for home recreational use only and NOT excessive competitive play.
- Read and understand the warnings.
- The life of your basketball system depends on many conditions. The climate, placement of the pole, the location of the pole, exposure to corrosives such as pesticides, herbicides or salts are all important factors.
- If technical assistance is required, contact Huffy Sports.
- Adult supervision is recommended when adjusting height.


*Most injuries are caused by misuse and/or not following instructions.  
Use caution when using this system.*

## SAFETY INSTRUCTIONS

The **UNIVERSAL MOUNTING BRACKET** is a versatile assembly which allows you to mount your backboard to a pole, on a wall, or on a flat roof or a slanted roof of any pitch. Although the shape of a backboard may vary, it will not affect the installation procedure. Keep in mind that the official height of a basketball goal is 10 feet from the playing surface to the top of the goal rim.

 **WARNING:** To ensure your safety, **DO NOT** attempt to assemble this system without following the instructions carefully. **BEFORE BEGINNING ASSEMBLY READ THE INSTRUCTIONS, AND IDENTIFY PARTS** using the hardware identifier and parts list in this document.

 **WARNING:** Mounting the backboard is performed at an elevated height, for your own safety, use a ladder. Two people are required for this operation, one person should not attempt this alone. Use proper precautions.

 **WARNING:** This system is not designed to support a player hanging from the goal or net. Failure to observe this caution may cause bodily injury and/or property damage.

**IMPORTANT!!** Because installation circumstances cannot be predicted, anchoring and fastening hardware cannot be provided with this kit to mount the **UNIVERSAL MOUNTING BRACKET** to your particular wall or roof. Long wood screws are recommended for wood and shingled walls and roofs. Expandable anchors are recommended for cement or brick walls and roofs. Consult your local hardware store for the appropriate anchoring and fastening hardware.



### Questions or Missing Parts?

**DON'T go back to store!**

Call TOLL-FREE Customer Service Number listed on the front page!

### NOTICE TO ASSEMBLERS

**ALL Huffy Sports Basketball Systems, including those used for DISPLAYS, MUST be assembled and ballasted with sand or water according to the instructions. Failure to follow instructions could result in SERIOUS INJURY. It is NOT acceptable to devise a makeshift weight system.**

#### WARRANTY CARD:

Please remember to complete your product registration form either on-line at: [www.huffysports.com](http://www.huffysports.com) or mail-in the enclosed postcard.

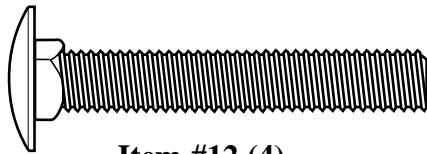
For more information on assembly, placement, proper use, and maintenance, visit The American Basketball Council website at <http://www.smarthoops.com>.

**IMPORTANT!**  
Remove all contents from boxes.

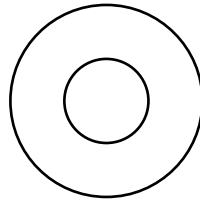
***PARTS LIST (SEE HARDWARE IDENTIFIER)***

<u>Item</u>	<u>Qty.</u>	<u>Part No.</u>	<u>Description</u>
1	6	900099	Short Angle, Black
2	1	900814	Long Angle, Black
3	2	900815	Strap, Long
4	6	202341	Angle Bracket
5	2	204102	U-bolt, 3/8-16 x 4-1/4
6	4	203309	Flat Washer, .406 I.D. x 1.0 O.D.
7	4	203017	Hex Nut, 3/8-16
8	12	201107	Capscrew, Hex Head, 1/4-20 x 1/2
9	12	203326	Lock Washer, 1/4
10	12	203228	Hex Nut, 1/4-20
11	1	900104	Short Strap
12	4	203103	Carriage Bolt, 5/16-18 x 1-1/2
13	4	203100	Hex Flange Nut, 5/16-18

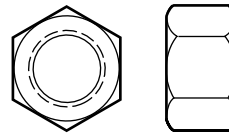
***HARDWARE IDENTIFIER (BOLTS, NUTS & WASHERS)***



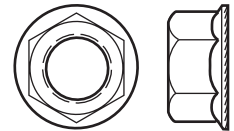
**Item #12 (4)**



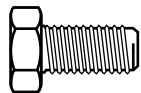
**Item #6 (4)**



**Item #7 (4)**



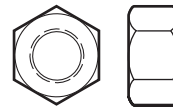
**Item #13 (4)**



**Item #8 (12)**

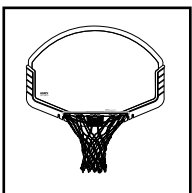


**Item #9 (12)**



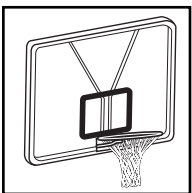
**Item #10 (12)**

***INDEX***



***FAN OR RECTANGULAR MOLDED PLASTIC BOARD:***

<u>MOUNTING CHOICE</u>	<u>SECTION.</u>	<u>PAGES</u>
POLE	A	5 – 8
WALL	A	5 – 7, 9
ROOF	B	10-11

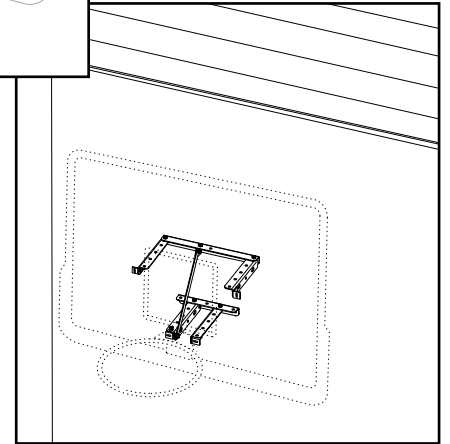
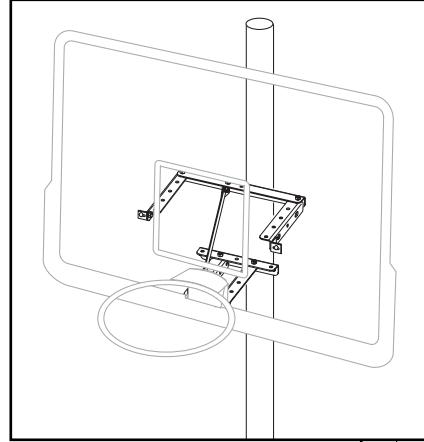
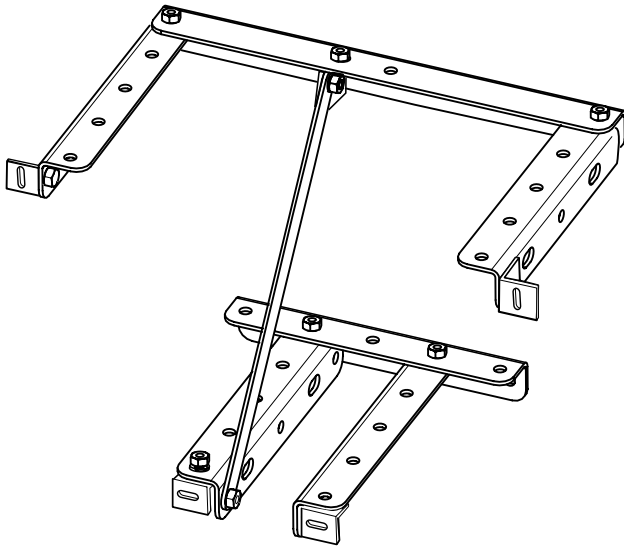
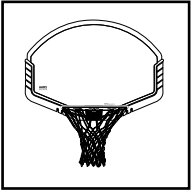


***STEEL FRAMED ACRYLIC TO A:***

<u>MOUNTING CHOICE</u>	<u>SECTION.</u>	<u>PAGES</u>
POLE	C	12 – 14
WALL	C	12 – 14
ROOF	D	15 – 16

# SECTION A:

## ASSEMBLING A FAN OR RECTANGULAR MOLDED PLASTIC BACKBOARD TO THE BRACKET TO ATTACH TO A POLE OR WALL



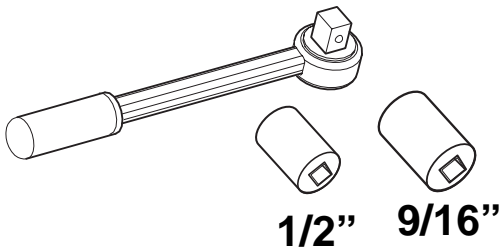
### TOOLS REQUIRED FOR THIS SECTION

(2) 1/2" AND (2) 9/16" Wrenches

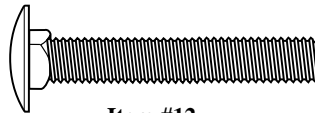


AND/OR

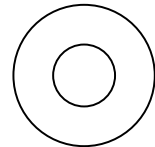
(2) Socket Wrenches and Sockets



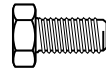
### HARDWARE USED IN THIS SECTION (not actual size)



Item #12



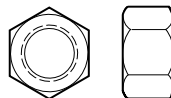
Item #6



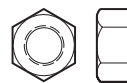
Item #8



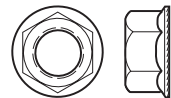
Item #9



Item #7



Item #10



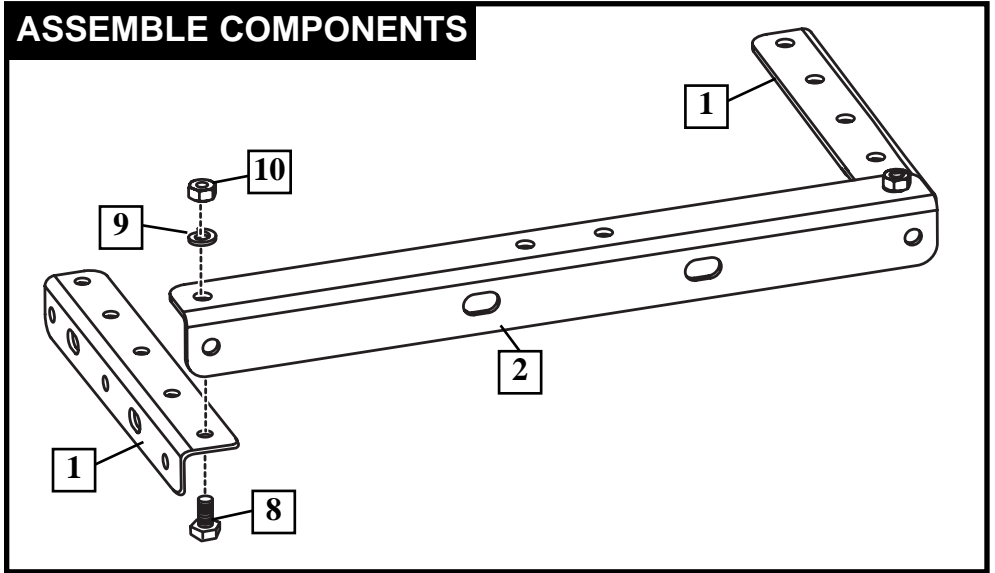
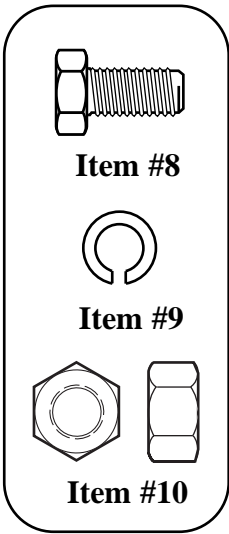
Item #13

# POLE OR WALL MOUNT FOR FAN OR RECTANGULAR MOLDED PLASTIC BACKBOARDS

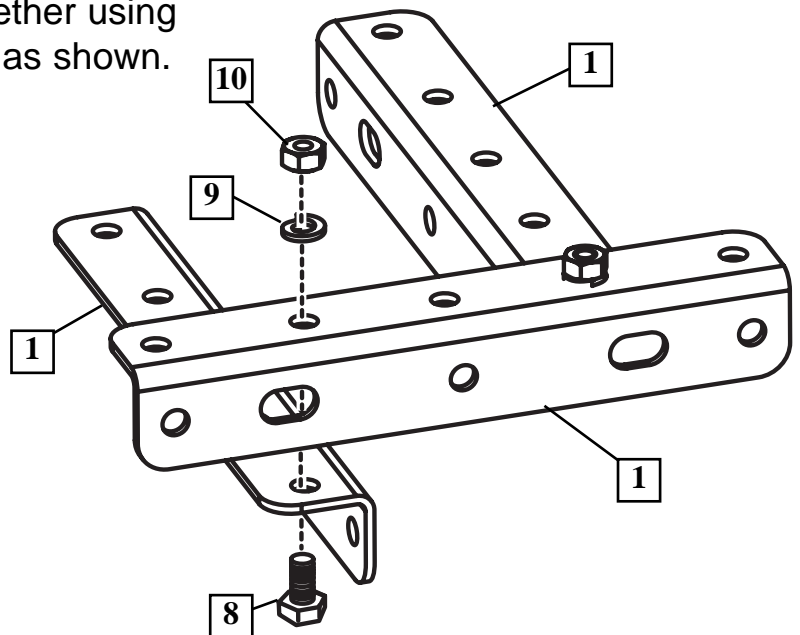
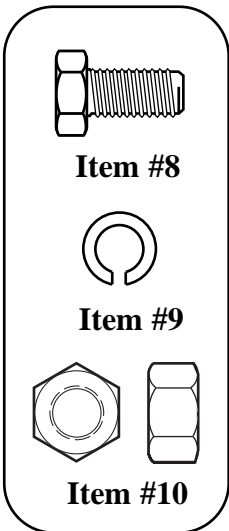
## IMPORTANT!:

ONLY FINGER TIGHTEN HARDWARE UNTIL BRACKET IS COMPLETELY ASSEMBLED.

1. Assemble short angles (1) to long angle (2) using bolts (8), washers (9), and nuts (10) as shown.



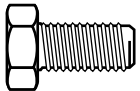
2. Assemble three short angles (1) together using bolts (8), washers (9), and nuts (10) as shown.



- 3.** Assemble two bracket assemblies with brace (3) using bolts (8), washers (9), and nuts (10).

**IMPORTANT!:**

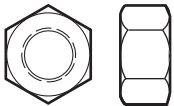
FULLY TIGHTEN ALL NUTS AND BOLTS AFTER THIS ASSEMBLY.



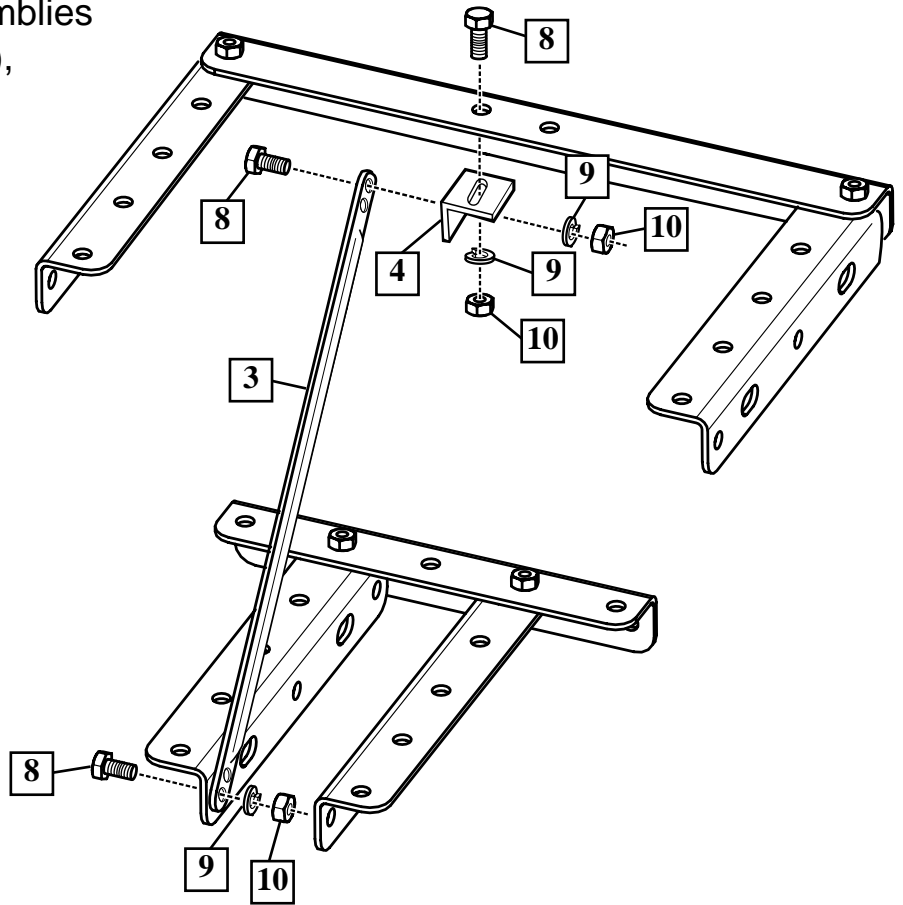
Item #8



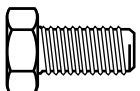
Item #9



Item #10



- 4.** Install angle brackets (4) using bolts (8), washers (9), and nuts (10) as shown. Keep finger tight until board is attached. Then fully tighten ALL hardware.



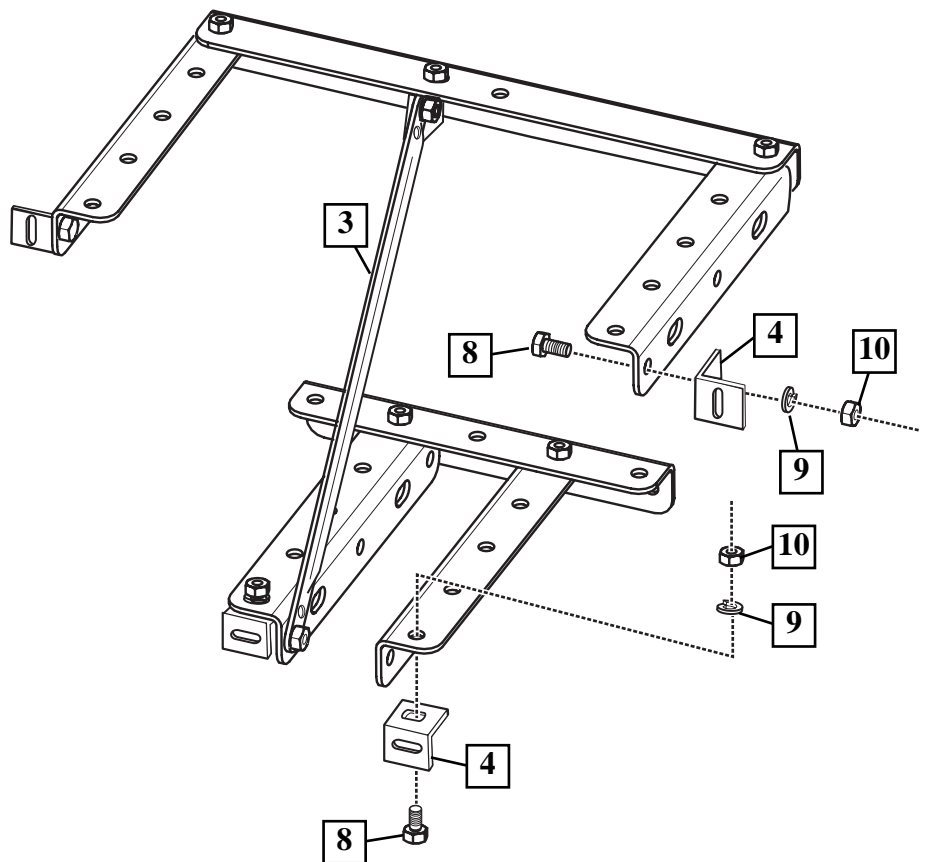
Item #8



Item #9



Item #10



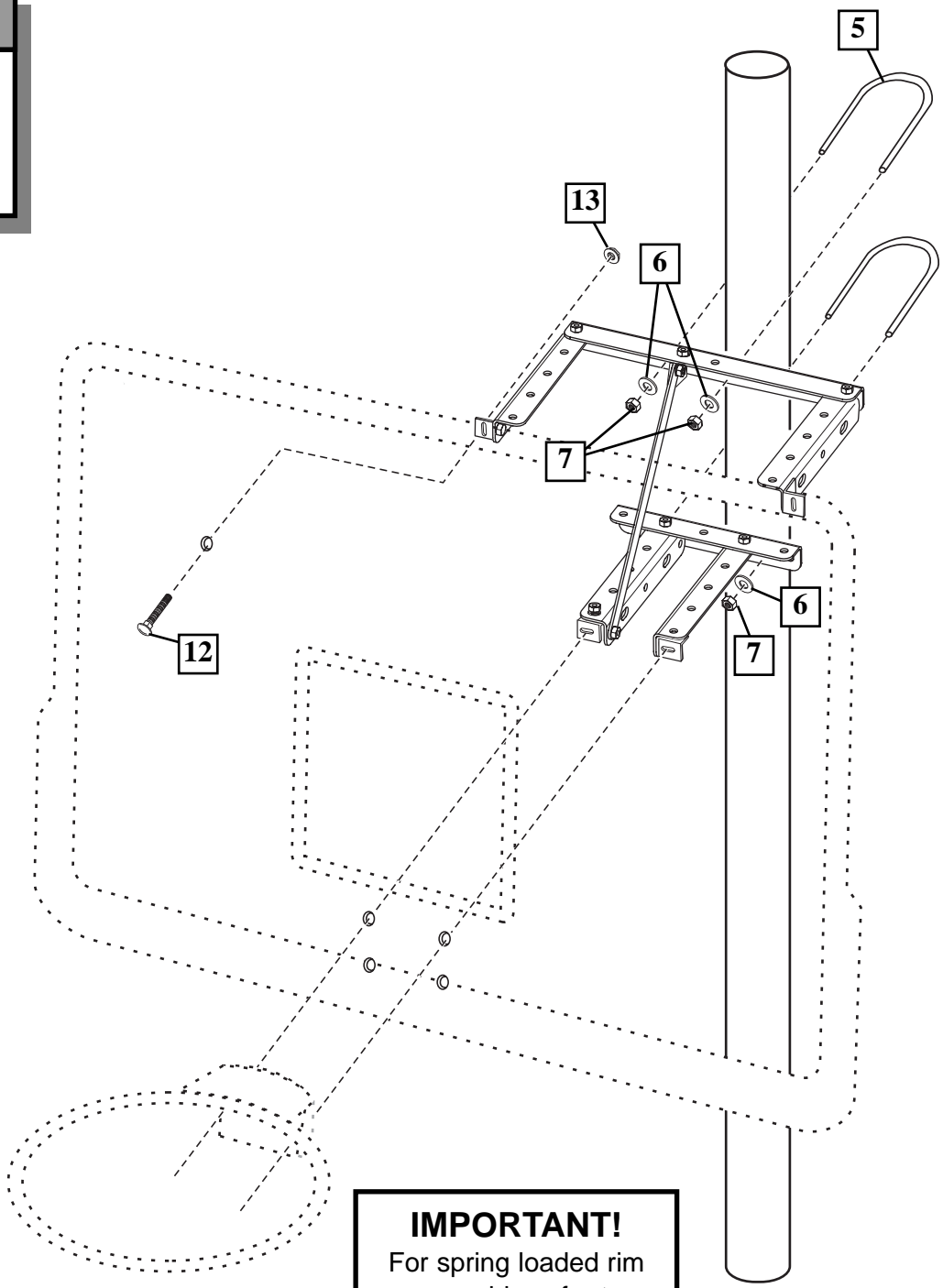
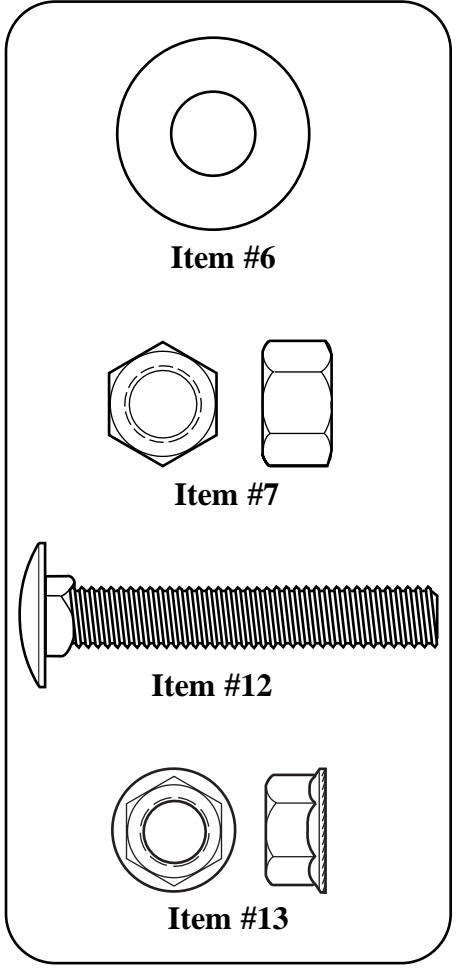
**5.**

**POLE MOUNT**

**A**

**IMPORTANT!** Hardware supplied is designed for a 3 1/2" diameter pole. Consumers must provide necessary hardware for poles of other sizes. Assemble U-Bolts to brackets loosely. Tighten when desired goal height is reached. Official NBA goal height is 10 feet (3.05m).

**IMPORTANT!:**  
FULLY TIGHTEN ALL NUTS AND BOLTS AFTER THIS ASSEMBLY.



**IMPORTANT!**  
For spring loaded rim assembly, refer to instructions included with rim hardware.

5.

## WALL MOUNT

B

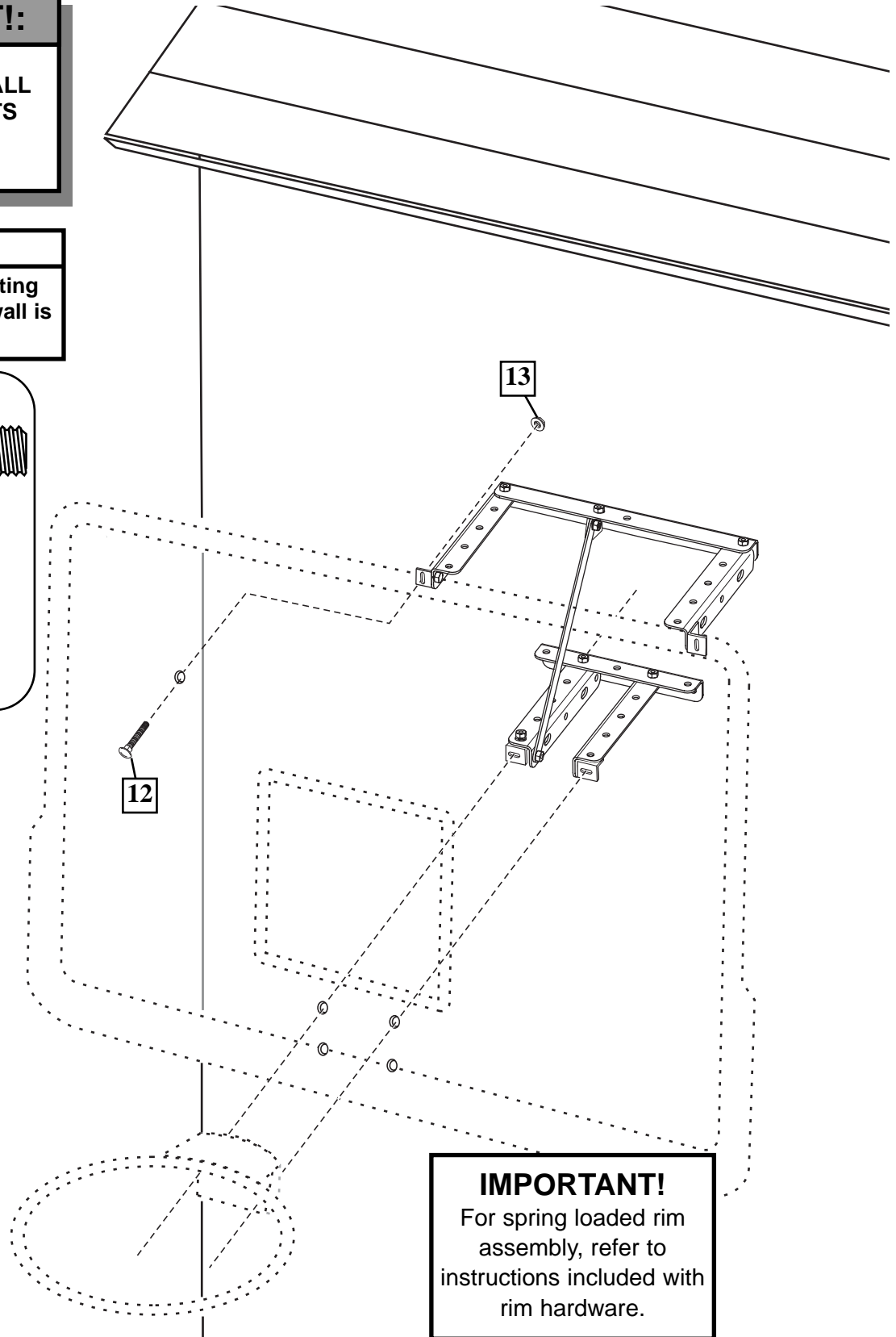
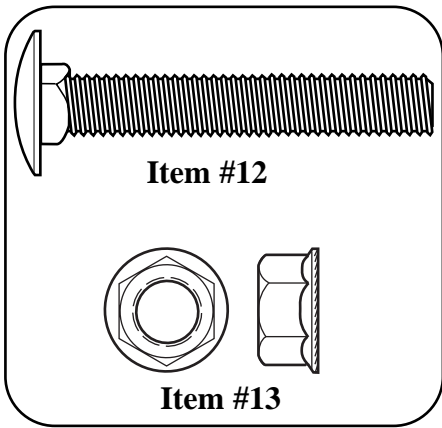
**IMPORTANT! Consumers must provide necessary hardware for mounting bracket to wall.** Assemble U-Bolts to brackets loosely. Tighten when desired goal height is reached. Official NBA goal height is 10 feet (3.05m).

### IMPORTANT!:

FULLY TIGHTEN ALL  
NUTS AND BOLTS  
AFTER THIS  
ASSEMBLY.

#### NOTE:

Hardware for mounting  
the brackets to the wall is  
not included.

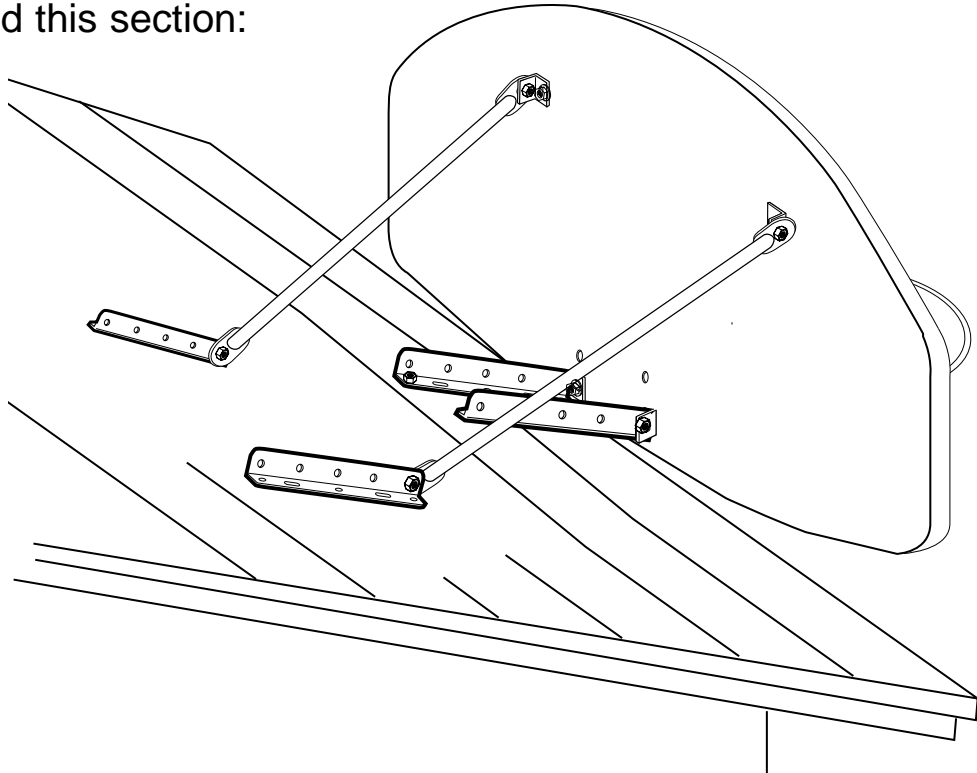


### IMPORTANT!

For spring loaded rim  
assembly, refer to  
instructions included with  
rim hardware.

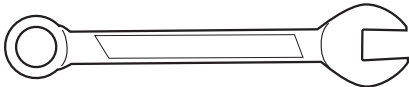
# SECTION B: ASSEMBLING THE BRACKET TO ATTACH TO A ROOF

This is what your system will look like when you've finished this section:



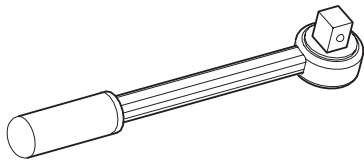
## TOOLS REQUIRED FOR THIS SECTION

**(2) 1/2" Wrenches**



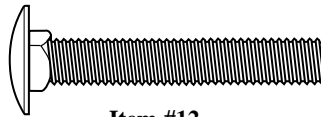
**AND/OR**

**(2) Socket Wrenches and Sockets**

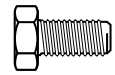


**1/2"**

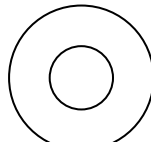
## HARDWARE USED IN THIS SECTION (not actual size)



**Item #12**



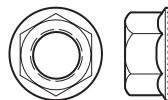
**Item #8**



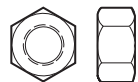
**Item #6**



**Item #9**



**Item #13**



**Item #10**

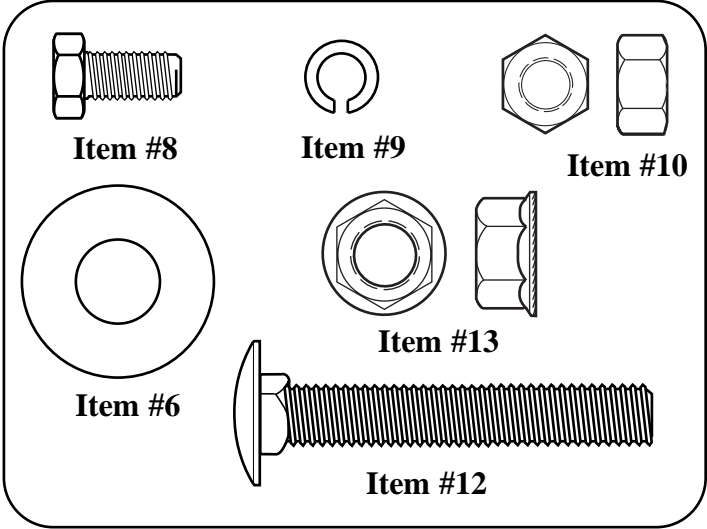
1.

# ROOF MOUNT

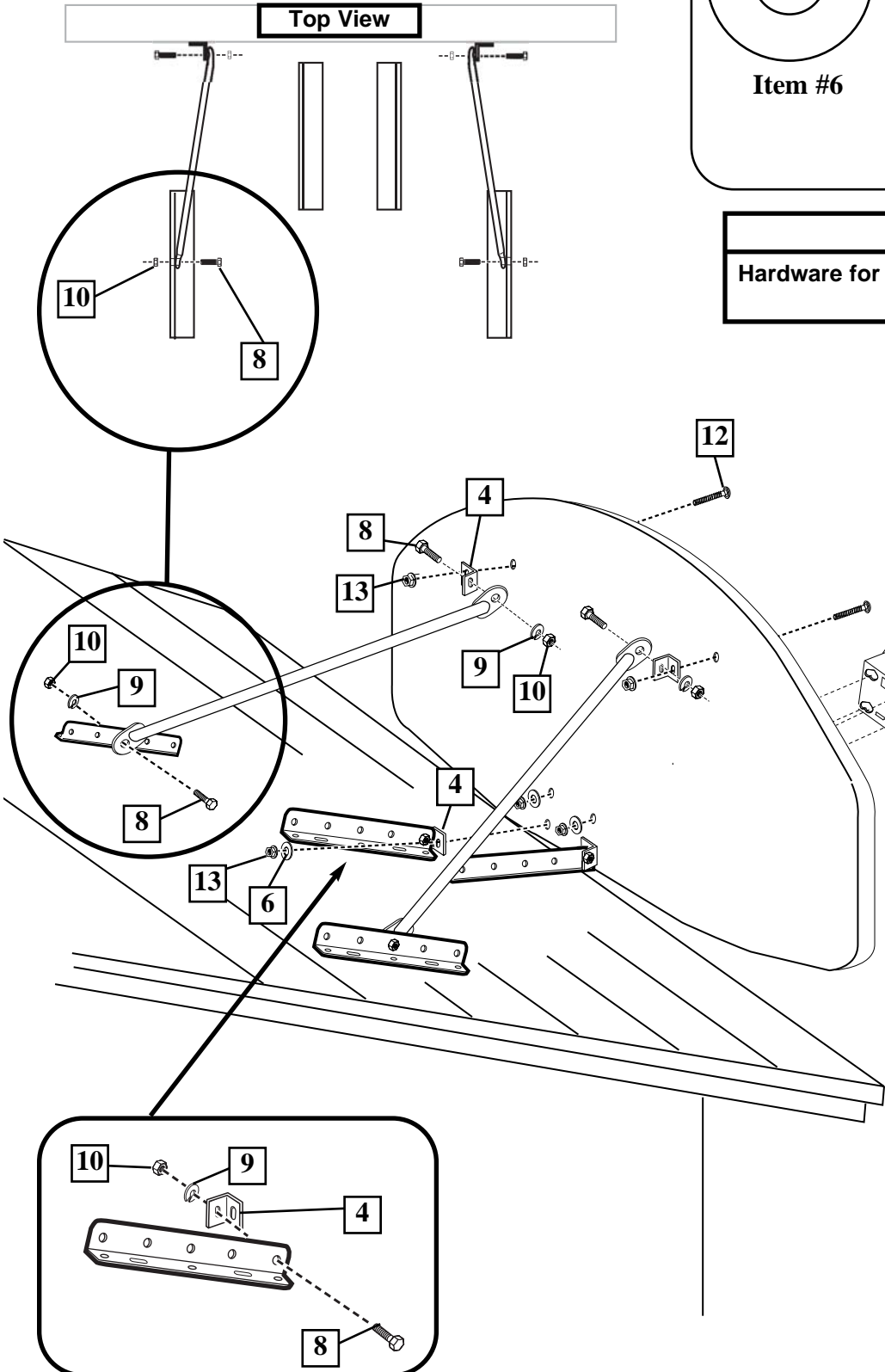
Mount to roof as shown.

**IMPORTANT!:**

**FULLY TIGHTEN ALL NUTS AND BOLTS AFTER THIS ASSEMBLY.**



**NOTE:**  
Hardware for mounting the brackets to the roof is not included.



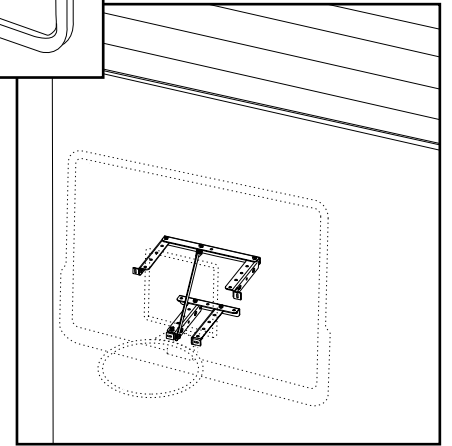
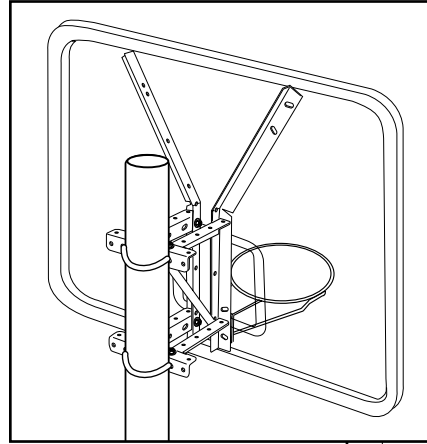
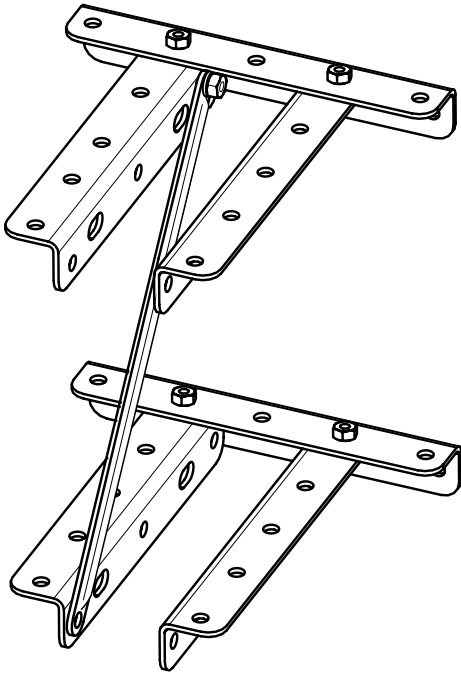
**Do not use washers here on spring return style rims.**

**IMPORTANT!**  
For spring loaded rim assembly, refer to instructions included with rim hardware.

## SECTION C:

# **ASSEMBLING A STEEL FRAMED ACRYLIC BACKBOARD TO THE BRACKET TO ATTACH TO A POLE OR WALL**

This is what your system will look like when you've finished this section:



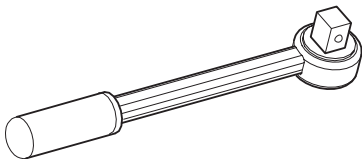
### TOOLS REQUIRED FOR THIS SECTION

**(2) 1/2" Wrenches**



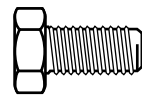
**AND/OR**

**(2) Socket Wrenches and Sockets**



**1/2"**

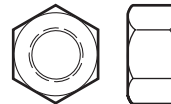
### HARDWARE USED IN THIS SECTION (not actual size)



**Item #8 (12)**



**Item #9 (12)**

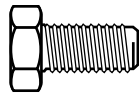


**Item #10 (12)**

# POLE OR WALL MOUNT FOR STEEL FRAMED ACRYLIC BACKBOARDS

## IMPORTANT!:

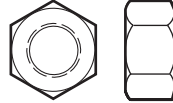
ONLY FINGER TIGHTEN HARDWARE.  
FULLY TIGHTEN AFTER BRACKET AND BOARD ARE COMPLETELY ASSEMBLED.



Item #8

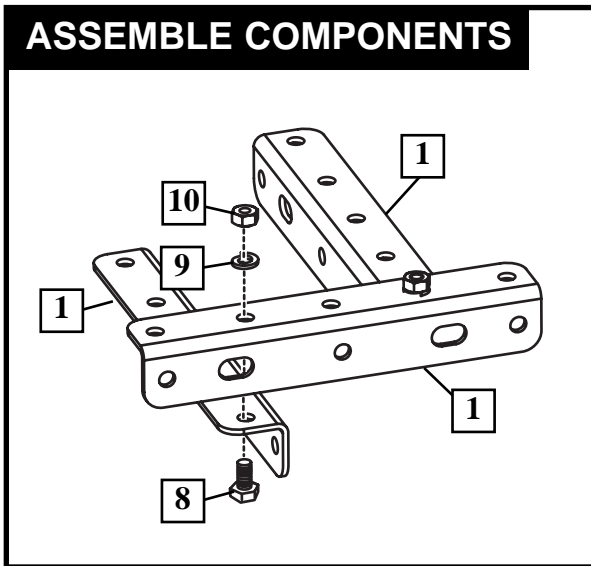


Item #9

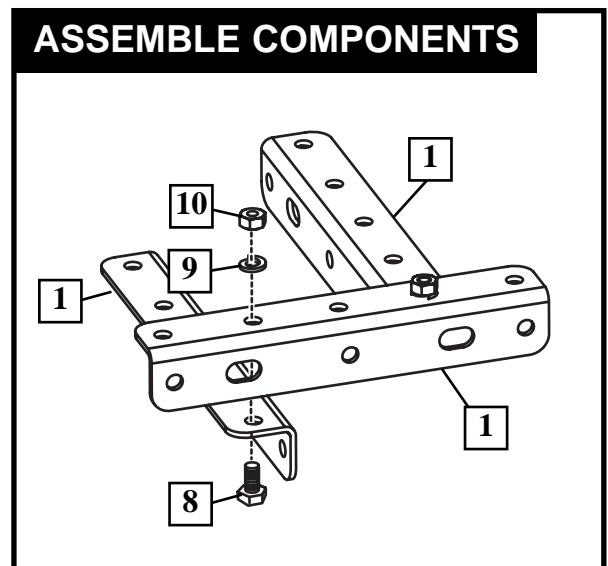


Item #10

1. Assemble three angle brackets (1) together as shown.

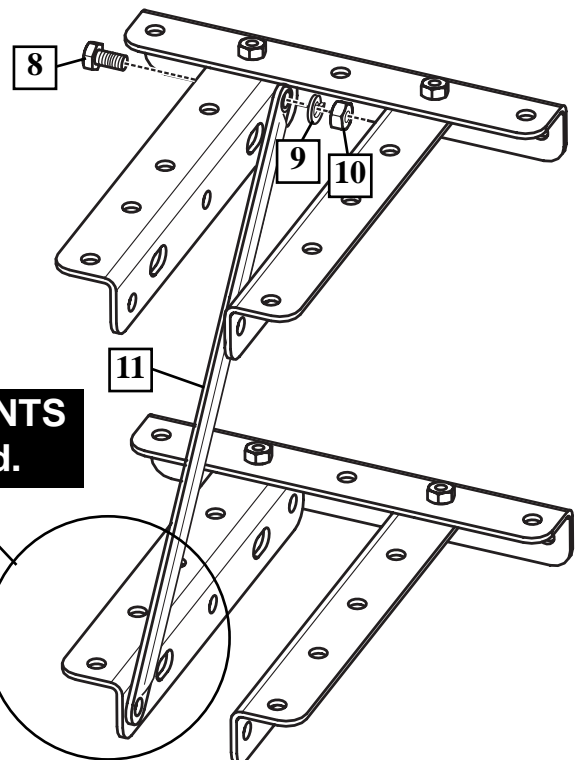


2. Assemble a second set of three angle brackets (1) together as shown.



3. Attach brace to one bracket assembly using brace (11) and bolt (8), washer (9), and nut (10).

**ASSEMBLE COMPONENTS**  
when attaching board.



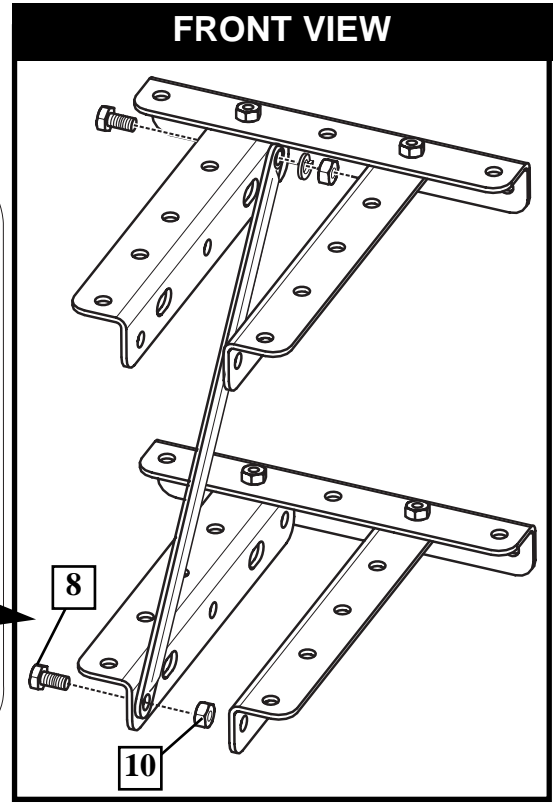
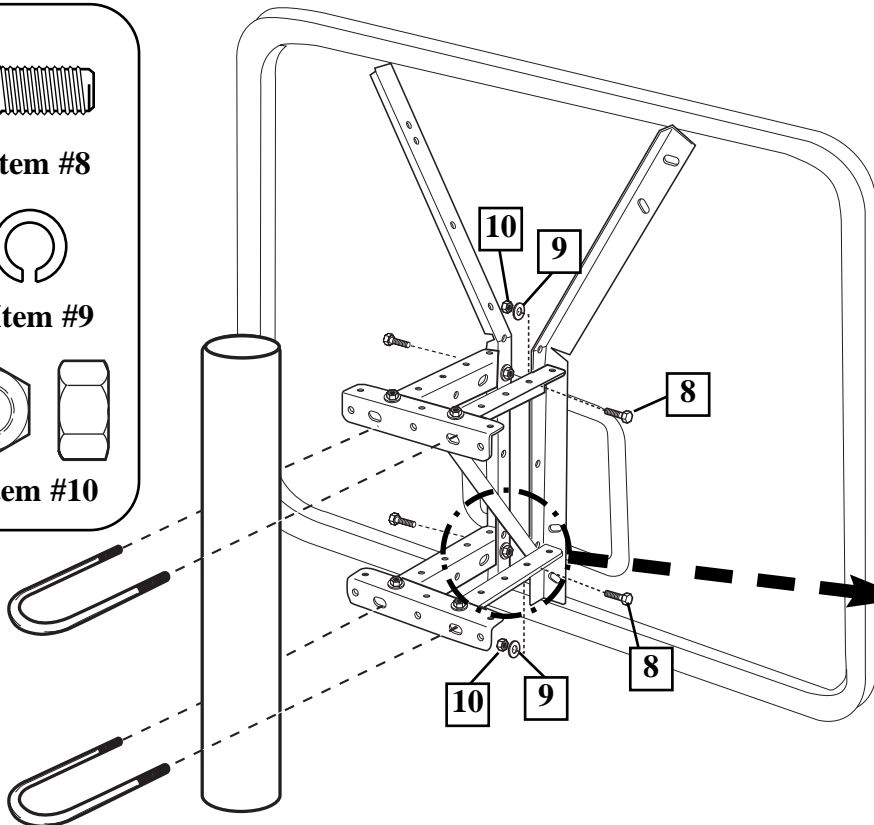
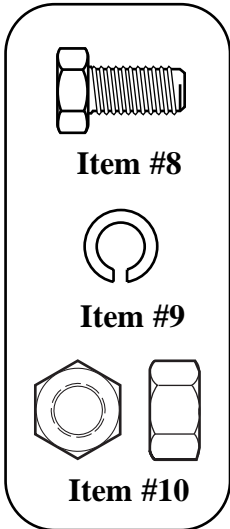
4.

# POLE MOUNT

A

**IMPORTANT!** Hardware supplied is designed for a 3 1/2" diameter pole. Consumers must provide necessary hardware for poles of other sizes.

Assemble U-Bolts to brackets loosely. Tighten when desired goal height is reached. Official NBA goal height is 10 feet (3.05m).



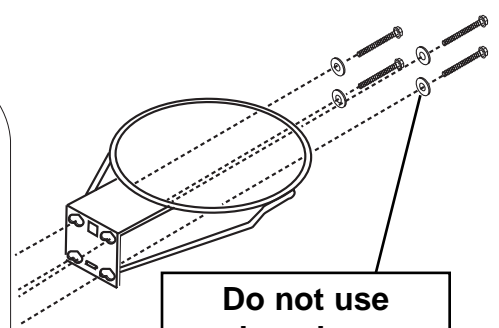
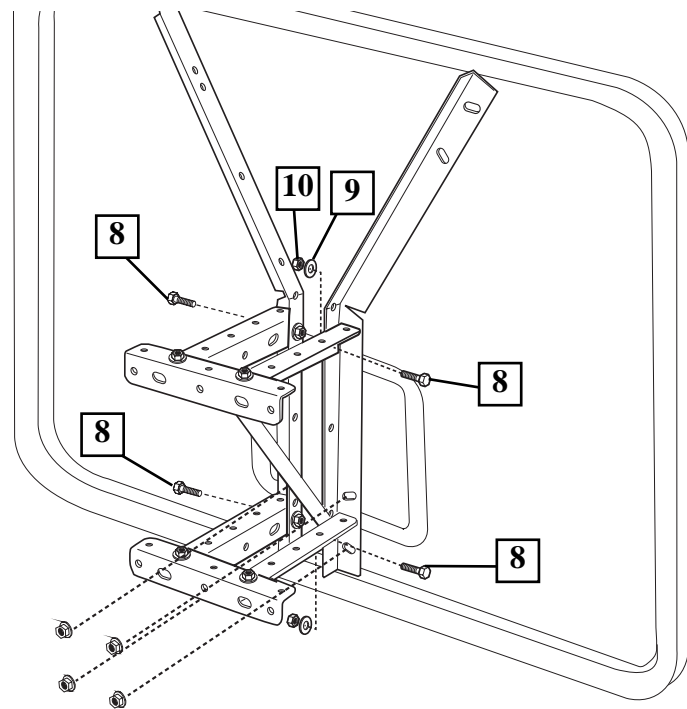
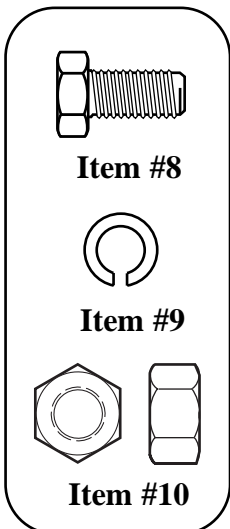
4.

B

Mount bracket to wall, then install backboard.

NOTE: Hardware for mounting the bracket to a wall is not included.

# WALL MOUNT



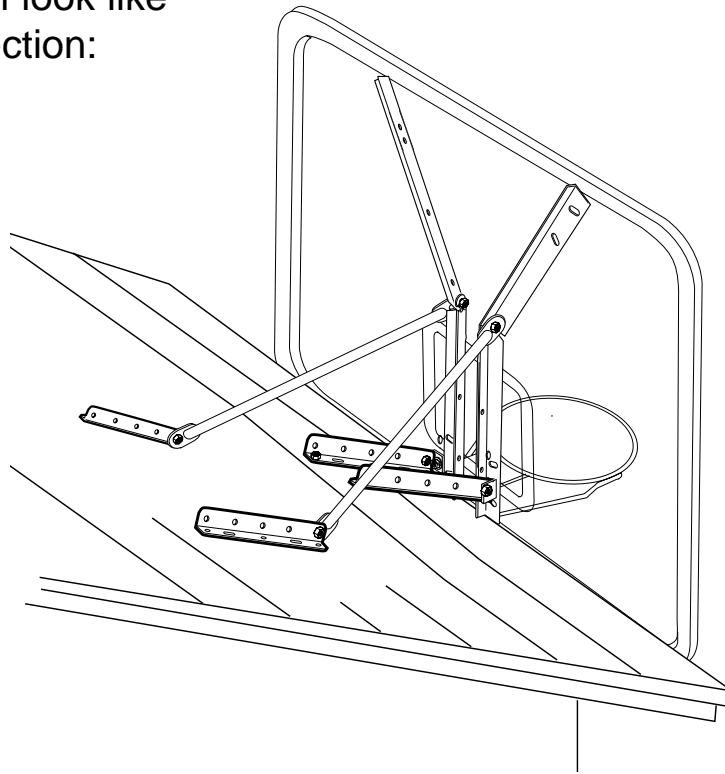
**Do not use washers here on spring return style rims.**

**IMPORTANT!**  
For spring loaded rim assembly, refer to instructions included with rim hardware.

## SECTION D:

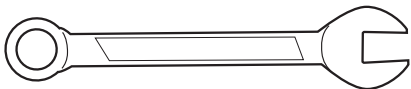
# **ASSEMBLING A STEEL FRAMED ACRYLIC BACKBOARD TO THE BRACKET TO ATTACH TO A ROOF**

This is what your system will look like when you've finished this section:



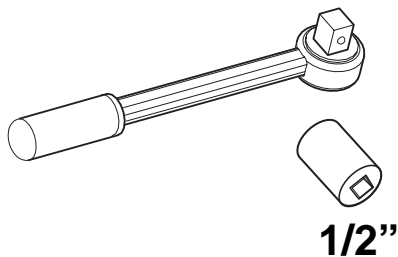
### TOOLS REQUIRED FOR THIS SECTION

**(2) 1/2" Wrenches**



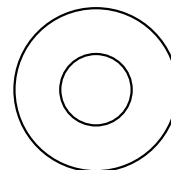
**AND/OR**

**(2) Socket Wrenches and Sockets**

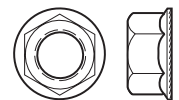


**1/2"**

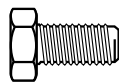
### HARDWARE USED IN THIS SECTION (not actual size)



**Item #6 (4)**



**Item #13 (4)**



**Item #8 (12)**



**Item #9 (12)**

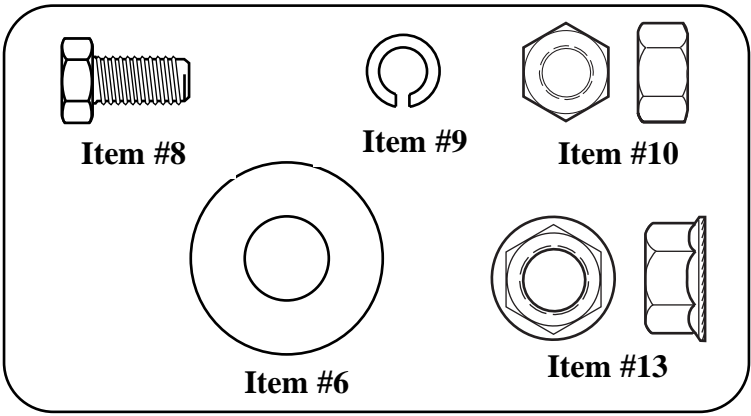


**Item #10 (12)**

# 1. ROOF MOUNT

Mount to roof.

**IMPORTANT!:**  
FULLY TIGHTEN ALL NUTS AND BOLTS  
AFTER THIS ASSEMBLY.



**NOTE:**  
Hardware for mounting the brackets to the roof  
is not included.

Top View

