

LITTLE CHAMP ADJUSTABLE HEIGHT BASKETBALL ADAPTER, LC-5
LIST OF MATERIALS

<u>PIECE NO.</u>	<u>PART NO.</u>	<u>DESCRIPTION</u>	<u>QTY.</u>
1	FSGB-1	BACKBOARD	2
2	G-35HP	GOAL	2
3	JNY-4HP	NET (PACKED WITH GOAL)	2
4	LC51	UPPER FRAME ASSEMBLY	2
5	HS3037	HX HEAD 5/16"-18 x 1 1/4"	4
6	LC53	UPPER FRAME CONNECTOR	2
7	LC54	LOWER FRAME CONNECTOR	2
8	LC945	HANDKNOB x 1 1/4"	4
9	HB5011	EYEBOLT 3/8"-16 x 2 1/2"	4
10	HS1472	HX HEAD 5/16"-18 x 2 1/2" (PACKED W/GOAL)	8
11	HW2049	5/16" FLAT WASHER (PACKED W/GOAL)	12
12	HN5046	5/16"-18 FLANGE NUT	20
13	HB5008	CARRIAGE BOLT 5/16"-18 x 2 1/4"	8
14	LC52	BACKBOARD FRAME ASSEMBLY	2
15	HN269	1/2"-13 JAM NUT	4
16	HM233	QUICK RELEASE PIN	2

CAUTION

- 1) Do not use this unit when subject to the possibility of users hanging or slam dunking. Serious injury to players can result.
- 2) Unit is designed for official "Biddy-Basketball" and is to be mounted on permanent mount indoor units.
- 3) Do not install on portable units, unless portable unit is fastened to floor with some type of floor plate.

ASSEMBLY INSTRUCTIONS

Complete unit (1 pair) is delivered to you in 4 boxes composed of 2 backboards, 2 rims, 1 pair of framework and hardware kit in one box. Check instructions and packing instructions to be certain no parts are missing.

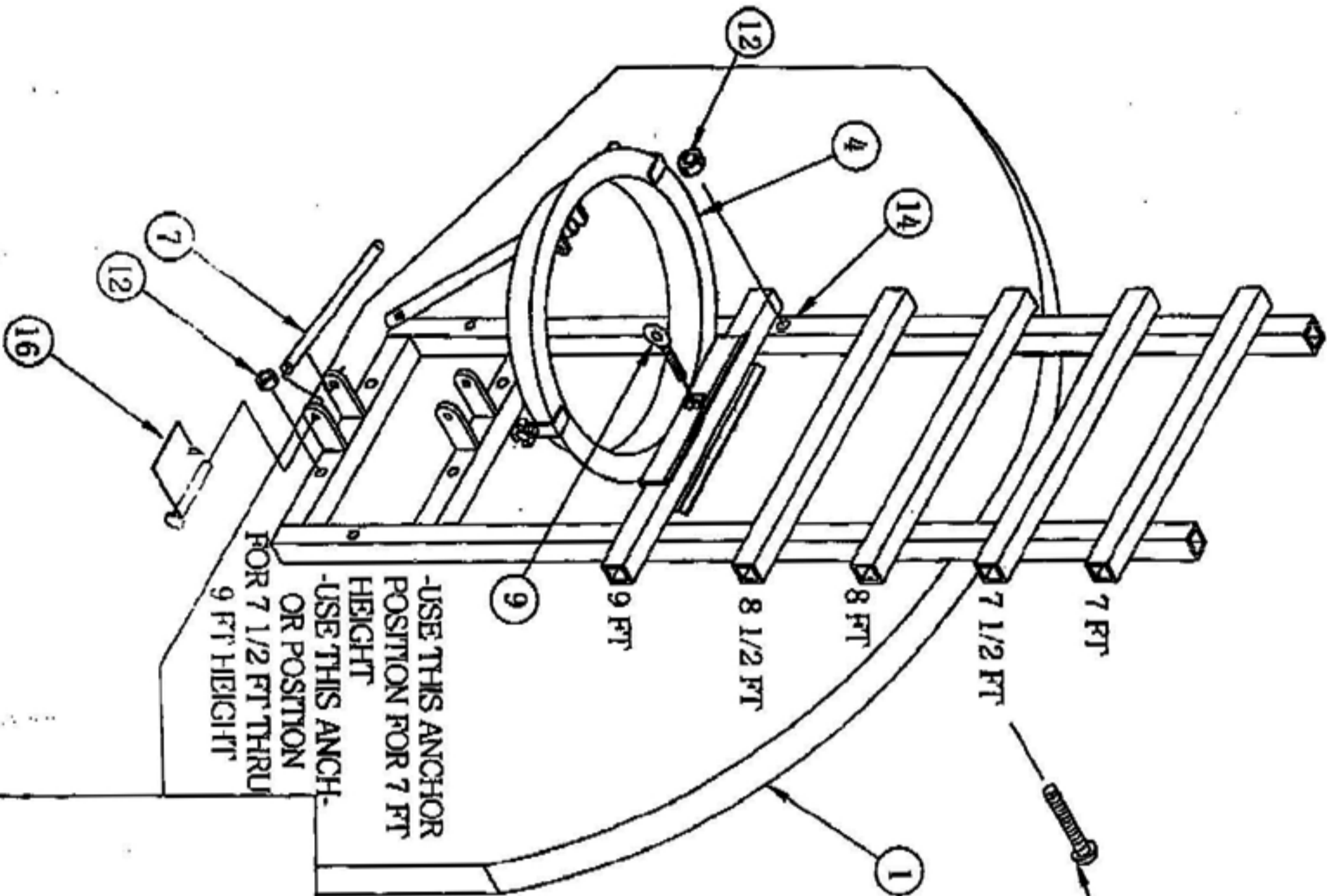
- 1) Using carriage bolts 5/16"-18 X 2 1/4" (13) and 5/16"-18 flange nuts (12), assemble upper frame (14) to backboard (1).
- 2) Assemble net (3) to goal, then, assemble goal (2) to backboard (1) using 2 each of Hx Head 5/16"-18 X 2 1/2" (10) on top two holes and 2 each of Hx Head screws 5/16"-18 x 1 1/4" (5) on bottom two holes with 5/16" flat washers (11) and 5/16"-18 flange nuts (12) as shown.

- 3) Assemble lower frame connector (7) to backboard frame assembly (14) using 5/16"-18 x 2 1/2" hex head bolt (10), 5/16" flat washers (11), and 5/16"-18 flange nut (12). Assemble upper frame connector (6) to upper frame (4) using hex head bolt 5/16"-18 x 2 1/2" (10), and 5/16"-18 flange nuts.
- 4) Loosely thread hand knobs x 1 3/4" (8) with 1/2" jam nuts (15) into place as shown in detail 'B'. With the help of an assistant, place assembled unit onto permanent goal. Engage lower frame connector (7) into upper frame connector (6) as shown in illustration and tighten with thumb screw (9). Secure unit into place as shown in detail 'B' and tighten fully with hand knob x 1 3/4" (8).

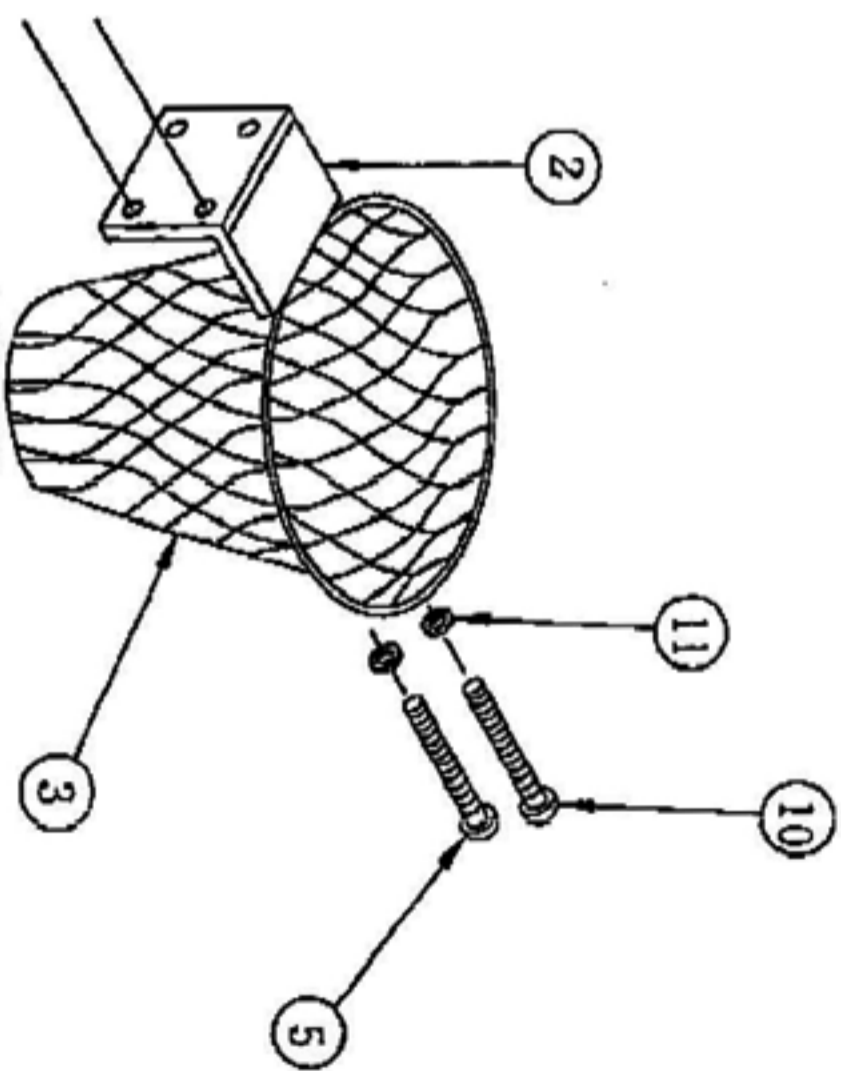
NOTE: KEEP UPPER AND LOWER FRAME CONNECTORS (6 & 7) JOINED TO THE UPPER FRAME ASSEMBLY (4) AND CONNECT THIS ADJUSTABLE BRACE TO THE BACKBOARD FRAME (14) USING THE QUICK RELEASE PIN (16) PROVIDED. NOTE THAT FOR GOAL HEIGHTS FROM 7 1/2 FT TO 9 FT THE LOWER ANCHOR POSITION ON THE BACKBOARD FRAME IS USED AND FOR GOAL HEIGHT OF 7 FT (THE LOWEST HEIGHT) THE UPPER ANCHOR POSITION ON THE BACKBOARD FRAME IS USED. USE THE ADJUSTABLE BRACE TO LEVEL THE BACKBOARD AND GOAL.

CAUTION: DO NOT ALLOW ANY PLAYER TO HANG FROM OR SLAM DUNK ON THIS GOAL. THIS IS DANGEROUS AND THE EXTRA WEIGHT MAY DAMAGE THE EQUIPMENT.

CAUTION: HANDKNOBS MUST SAFELY SECURE THE UPPER FRAME ASSEMBLY TO YOUR EXISTING BASKETBALL GOAL. THE POINT OF THE HANDKNOB MUST CONTACT YOUR GOAL BENEATH THE WELDED SUPPORT FLANGE OR THE GOAL RIM IN ORDER TO PROPERLY LOCK IN PLACE. FAILURE TO SECURE HANDKNOBS IN POSITION COULD ALLOW UNIT TO FALL DURING USE. CHECK THIS ASSEMBLY CAREFULLY.

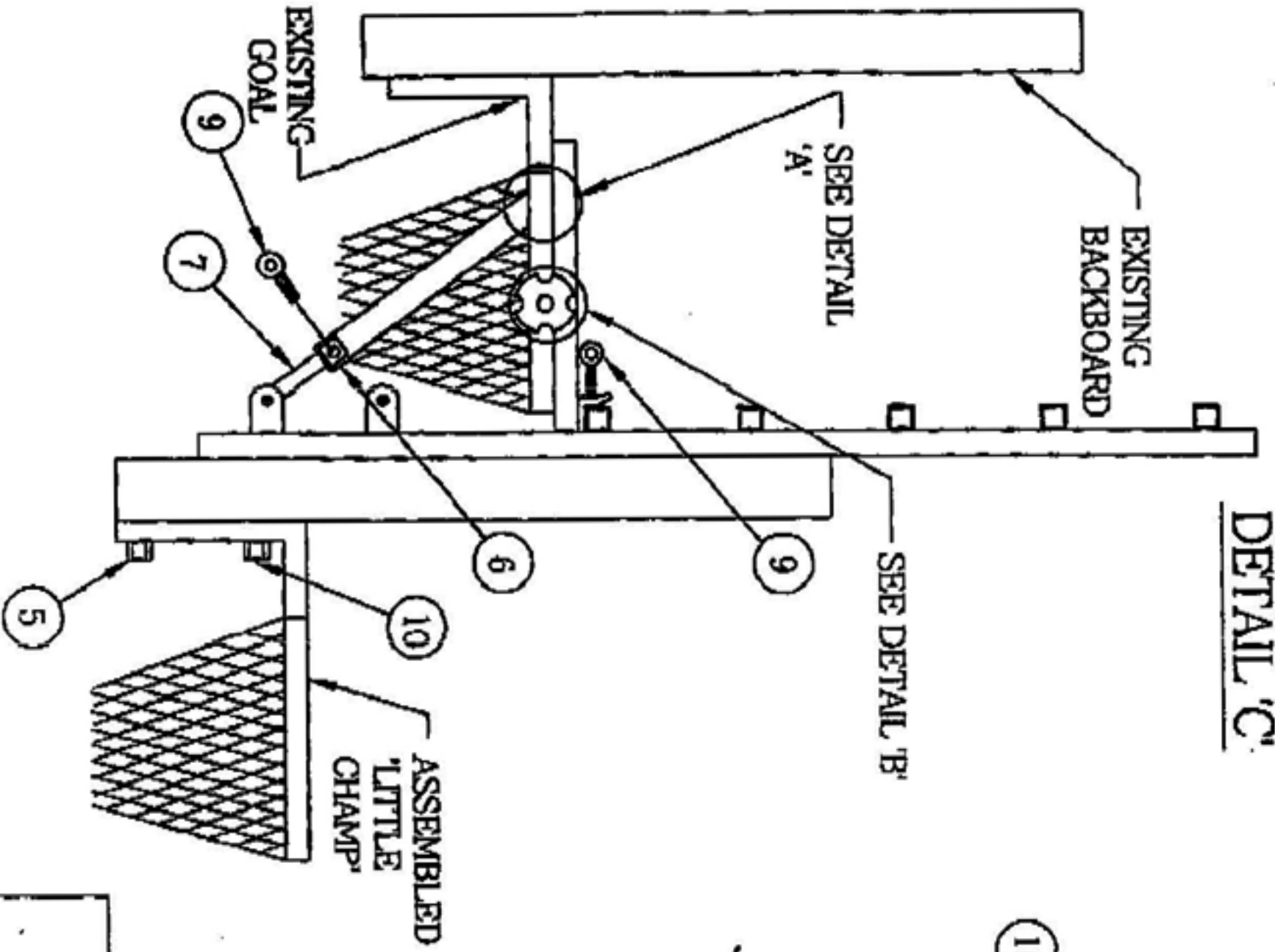


- PLEASE NOTE:**
- 1) FOR SAFE OPERATION AND CONTINUED HIGH PERFORMANCE FROM THIS EQUIPMENT, INSPECTION AND MAINTENANCE MUST BE PERFORMED BEFORE EACH USE
 - 2) USE OF THIS EQUIPMENT OTHER THAN INTENDED, MAY BE HAZARDOUS.
 - 3) ALTERATION OR MODIFICATION OF EQUIPMENT MAY BE HAZARDOUS. FOR REPAIR OR REPLACEMENT, PLEASE CALL YOUR DEALER

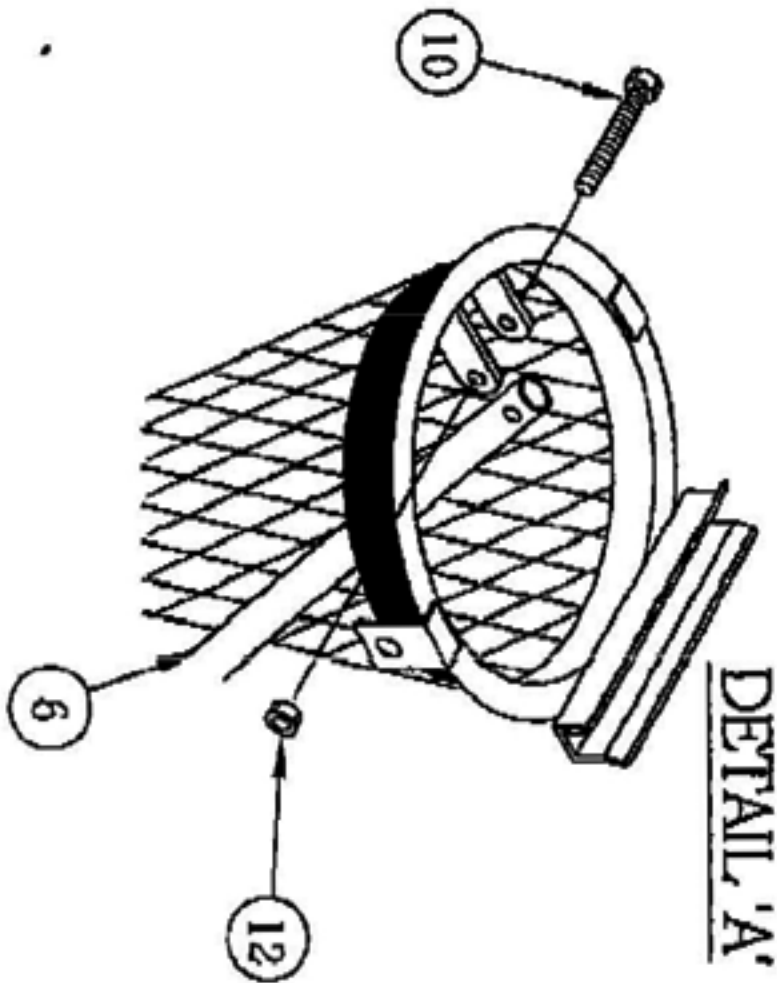


DO NOT ALLOW ANY PLAYER TO HANG FROM OR SLAM DUNK ON THIS GOAL. THIS IS DANGEROUS AND THE EXTRA WEIGHT MAY DAMAGE THE EQUIPMENT.

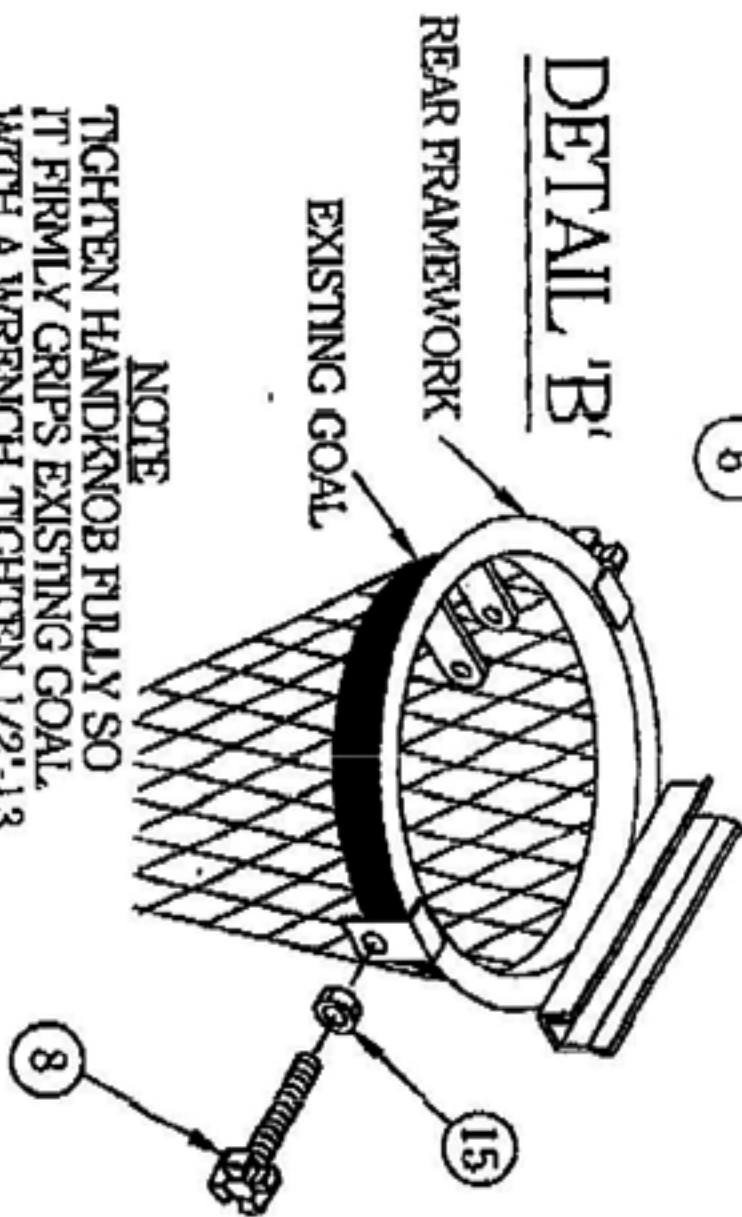
DETAIL 'C'



DETAIL 'A'



DETAIL 'B'



NOTE
 TIGHTEN HANDKNOB FULLY SO IT FIRMLY GRIPS EXISTING GOAL. WITH A WRENCH, TIGHTEN 1/2"-13 JAM NUT (15) AGAINST FLANGE TO LOCK HANDKNOB INTO PLACE.

NOTE
 USE THE UPPER AND LOWER FRAME CONNECTORS TO LEVEL BACKBOARD AND GOAL WITH PLAYING SURFACE.

MODEL NO.:
LC-5

PRODUCT NAME:
 ADJUSTABLE LITTLE CHAMP

DRAWN BY: JAC

EFFECTIVE DATE:
 10-7-03